

GC-1020 Adjustable Compression Lever Latch

Features

- Low profile with flush trigger
- 2-in-1 handle & latch
- Grip adjustment – 15mm to 30mm
- Panel thickness: 1mm to 4mm
- Available in two sizes

Material

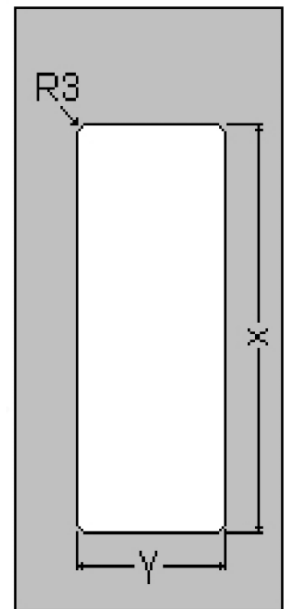
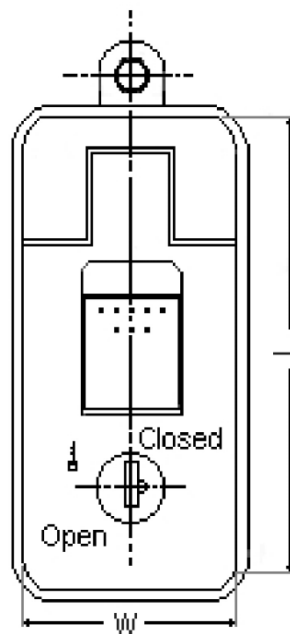
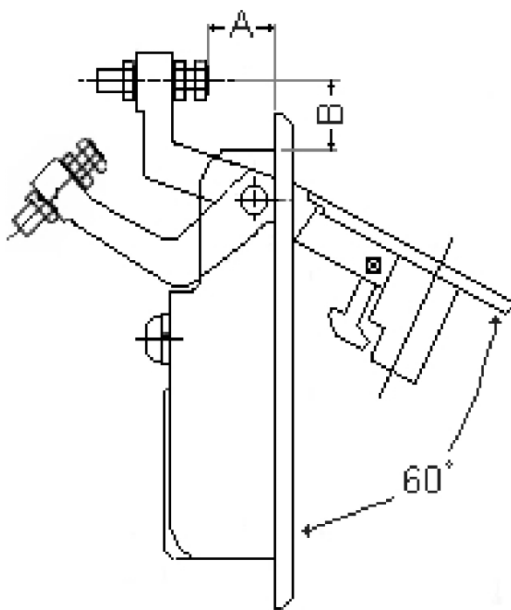
- Housing, lever & trigger: Die cast zinc
- Bracket: Zinc plated CRC steel
- Finish: Black power coated or pearl chrome plated

Included Parts

- Bracket fixing
- Gasket

Notes

- Available only in key-locking models
- Key-alike as standard



Part No.	Finish	A	B	W	L	X	Y
GC-10207B-BCL	Black Power Coated	15 - 30	28.5	50	103.5	91	35
GC-10207B-PCL	Pearl Chrome Coated						
GC-10208B-BCL	Black Power Coated	15 - 30	30.5	35.2	80.7	72	25
GC-10208B-PCL	Pearl Chrome Coated						